

# \*DIGITRON-2 Character Side-Viewing Cold-Cathode + and — Register Tube

GR2G

## Limit Ratings

Maximum cathode current (+ sign)	5 mA
Maximum cathode current (— sign)	3 mA
Minimum voltage necessary to ensure breakdown	180 V

## Characteristics

Nominal running voltage	168 V
A cathode left floating will assume some potential between that of the anode and the glowing cathode.	

## Recommended Operating Conditions

Under the recommended D.C. operating conditions with the characters switched sequentially every 24 hours, an average life of 4,000 hours can be expected.

Anode supply voltage	250 V
Cathode + series resistor	15k $\Omega$
Cathode — series resistor	27k $\Omega$

\* Registered Trade Mark



# GR2G

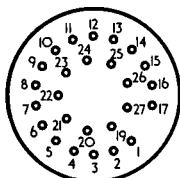
## DIGITRON-2 Character Side-Viewing Cold-Cathode + and - Register Tube

### Mechanical Data

Mounting position  
Base  
Socket

Any  
B26A  
B17A, B26A or B27A

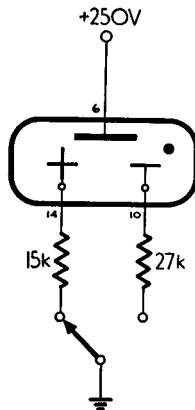
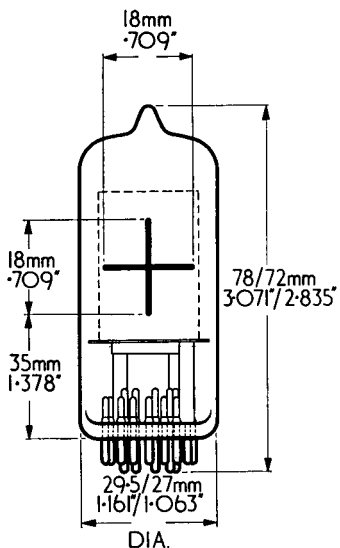
Base Connections  
(underside view)



FRONT

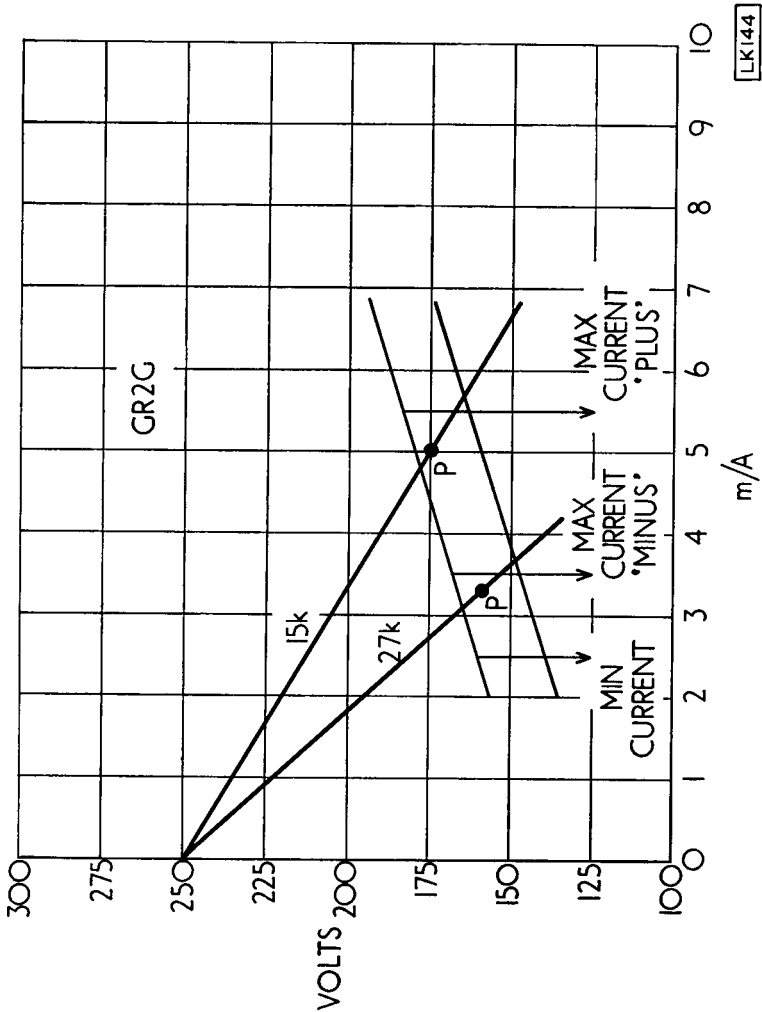
Pin 6 Anode  
Pin 10 —  
Pin 14 +

Note—All other pins are to be left unconnected.



# \*DIGITRON-2 Character Side-Viewing Cold-Cathode + and - Register Tube

GR2G



Operating Characteristics

\*Registered Trade Mark



